

Hypertherm®

powermax600

Machine torch parts

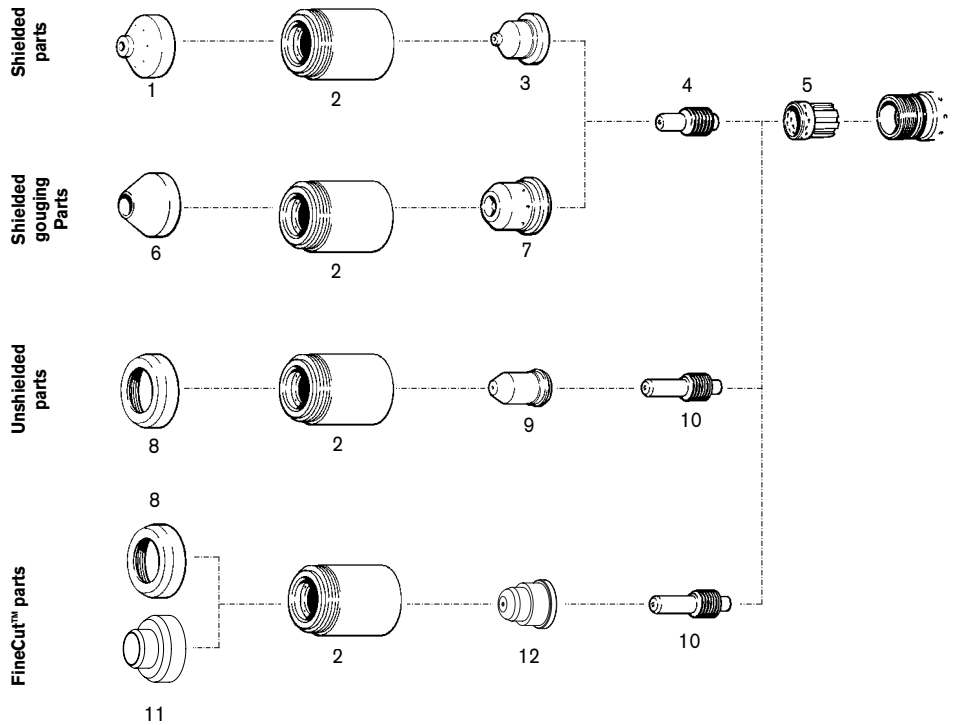
PAC123M consumables



Powermax600



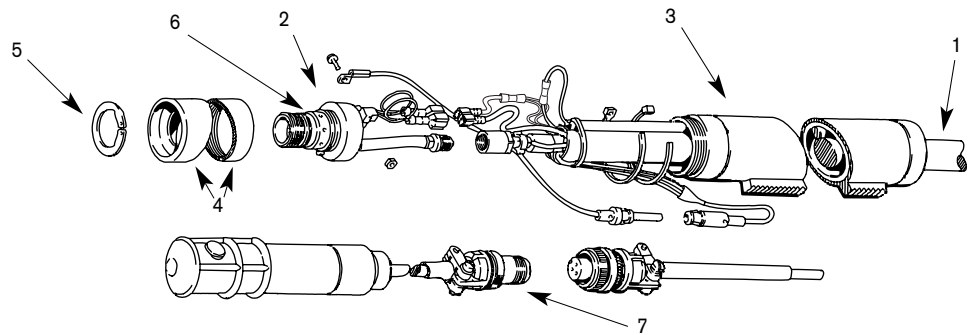
PAC123M torch



	ITEM NUMBER	PART NUMBER	DESCRIPTION	QUANTITY PER PACKAGE
Shielded parts	1	120827	Shield	1
	2	120600	Retaining Cap	1
	3	120826	Nozzle	5
	4	120573	Electrode	5
	5	120576	Swirl Ring	1
Shielded gouging parts	6	120608	Shield, Gouging	1
	2	120600	Retaining Cap	1
	7	120831	Nozzle, Gouging	5
	4	120573	Electrode	5
	5	120576	Swirl Ring	1
Unshielded parts	8	120303	Deflector	1
	2	120600	Retaining Cap	1
	9	120606	Nozzle, Pipe Saddle, 35 Amp	5
	10	120574	Electrode, Extended	5
	5	120576	Swirl Ring	1
FineCut™ parts	8	120303	Deflector	1
	11	220326	Deflector, CE	1
	2	120600	Retaining Cap	1
	12	220330	Nozzle	5
	10	120574	Electrode	5
5	120576	Swirl Ring	1	

Note: The nozzles and swirl rings shown must be used as a set.

Powermax600 PAC123M torch assembly



PAC123M torch

For improved performance,
we recommend retrofitting
with the RT60 torch
(see page 35).

ITEM NUMBER	PART NUMBER	DESCRIPTION
	086004^	PAC123M Torch Assembly, with pigtail, without QD* 15' / 4.6 m ++
	086005^	PAC123M Torch Assembly, with pigtail, without QD* 25' / 7.6 m ++
	086006^	PAC123M Torch Assembly, with pigtail, without QD* 50' / 15.2 m ++
	086026^	PAC123M Torch Assembly, with pigtail and QD* 15' / 4.6 m **
	086027^	PAC123M Torch Assembly, with pigtail and QD* 25' / 7.6 m **
	086029^	PAC123M Torch Assembly, with pigtail and QD* 50' / 15.2 m **
1	128374	Torch Lead, with pigtail, without QD* 15' / 4.6 m ++
1	128375	Torch Lead, with pigtail, without QD* 25' / 7.6 m ++
1	128376	Torch Lead, with pigtail, without QD* 50' / 15.2 m ++
1	128572	Torch Lead, with pigtail and QD* 15' / 4.6 m **
1	128573	Torch Lead, with pigtail and QD* 25' / 7.6 m **
1	128574	Torch Lead, with pigtail and QD* 50' / 15.2 m **
2	120583	Torch Main Body with Switch
3	020620	Torch Position Sleeve
4	120613	Torch Sleeve
5	027599	Snap Ring
6	044016	O-Ring, Buna - N 90 Duro
7	028714	On/Off Pendant, 25' / 7.6 m
7	128061	On/Off Pendant, 50' / 15.2 m
7	128062	On/Off Pendant, 75' / 22.9 m

^ Assembly includes consumables

* QD = Quick Disconnect

++ Only for use with 230 V and 400 V systems.

** Only for use with 208 - 240 V and 480 V systems.