

Hypertherm®

powermax100

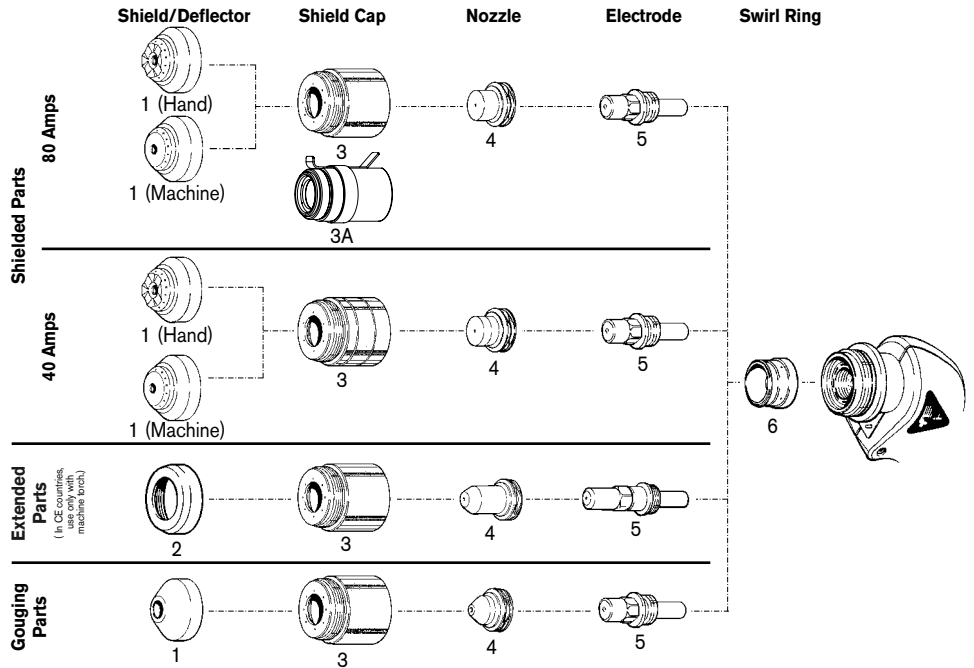
PAC135T/M consumables



Powermax100

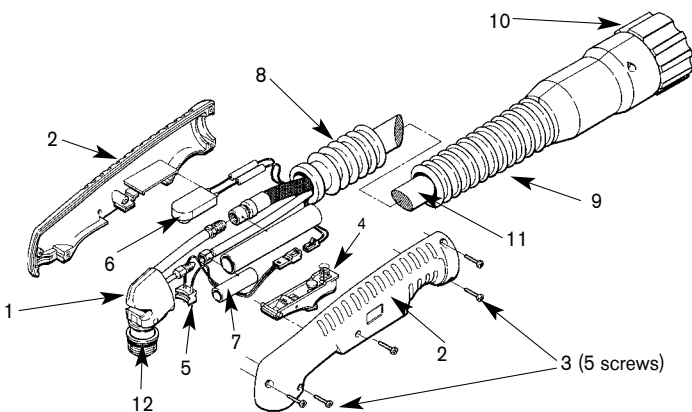


PAC135T



	ITEM NUMBER	DESCRIPTION	PART NUMBER		QUANTITY PER PACKAGE
			80 AMPS	40 AMPS	
Cutting Parts Shielded	5	Electrode, Air, HyLife	120473	120473	5
	6	Swirl Ring	120474	120474	1
	4	Nozzle	120476	120515	5
	3	Retaining Cap	120483	120520	1
	3A	Retaining Cap, Ohmic	120968	120968	1
	1	Shield, Hand	120475	120475	1
	1	Shield, Machine	120516	120516	1
Cutting Parts Extended <small>(In CE countries, use only with machine torch)</small>	5	Electrode, Air, HyLife	120517	_____	5
	6	Swirl Ring	120474	_____	1
	4	Nozzle	120518	_____	5
	3	Retaining Cap	120483	_____	1
	2	Deflector	120519	_____	1
Gouging Parts	5	Electrode, Air, HyLife	120473	_____	5
	6	Swirl Ring	120474	_____	1
	4	Nozzle	120509	_____	5
	3	Retaining Cap	120483	_____	1
	1	Shield	120510	_____	1

Powermax1100 PAC135T safety torch assembly

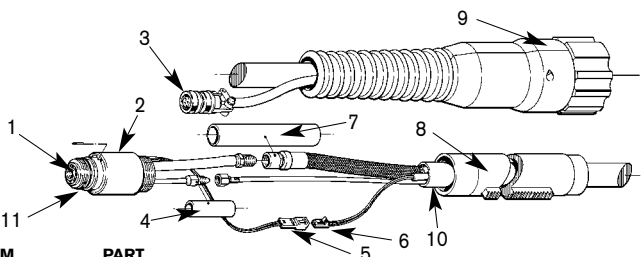


For improved performance, we recommend retrofitting with the RT80 torch (see page 37).

ITEM NUMBER	PART NUMBER	DESCRIPTION
	085001 [^]	PAC135T Torch Assembly, Quick Disconnect, 25' / 7.6 m Lead
	085061 [^]	PAC135T Torch Assembly, Quick Disconnect, 50' / 15.2 m Lead
1	120477	Torch Main Body, PAC135T
2	001615	Handle, PAC135T (includes both halves)
3	075497	Screws, #6 x 5/8", Phillips Head, Pan Head (five required)
4	128409	Safety Trigger Upgrade Assembly
5	005212	Switch Assembly, Cap-on Sensor
6	005247	Push Button Switch
7	046072	Heatshrink: 1/2" ID
8	001616	Torch Boot
9	002277	Quick Disconnect Boot
10	128122	Plug Assembly: PAC135T Torch Quick Disconnect
11	129559	Torch Lead, 25' / 7.6 m
11	129560	Torch Lead, 50' / 15.2 m
12	026020	O-Ring, Silicon

[^] Assembly includes consumables

Powermax1100 PAC135M torch assembly



For improved performance, we recommend retrofitting with the RT80 torch (see page 39).

ITEM NUMBER	PART NUMBER	DESCRIPTION
	085062 [^]	PAC135M Torch Assembly and 14' / 4.3 m Lead
	085063 [^]	PAC135M Torch Assembly and 25' / 7.6 m Lead
	085064 [^]	PAC135M Torch Assembly and 35' / 10.7 m Lead
	085065 [^]	PAC135M Torch Assembly and 50' / 15.2 m Lead
1	108040	Contact: PAC135M Cap-On Sensor Switch
2	120508	Torch Main Body, PAC135M
3	008268	Plug: 3-Socket Female
4	046072	Heatshrink: 1/2" ID
5	108035	Pin Housing: 2-Position 26-22 AWG
6	108034	Receptacle Housing: 2-Position 26-22 AWG
7	046056	Tubing: 5/8" ID
8	020243	Sleeve, Torch Position
9	128122	Plug Assembly: PAC135M Torch Quick Disconnect
10	129240	Torch Lead, 14' / 4.3 m
10	129241	Torch Lead, 25' / 7.6 m
10	129242	Torch Lead, 35' / 10.7 m
10	129243	Torch Lead, 50' / 15.2 m
11	026020	O-Ring, Silicon

[^] Assembly includes consumables