

Hypertherm®

powermax1000® G3 SERIES™

Machine torch parts

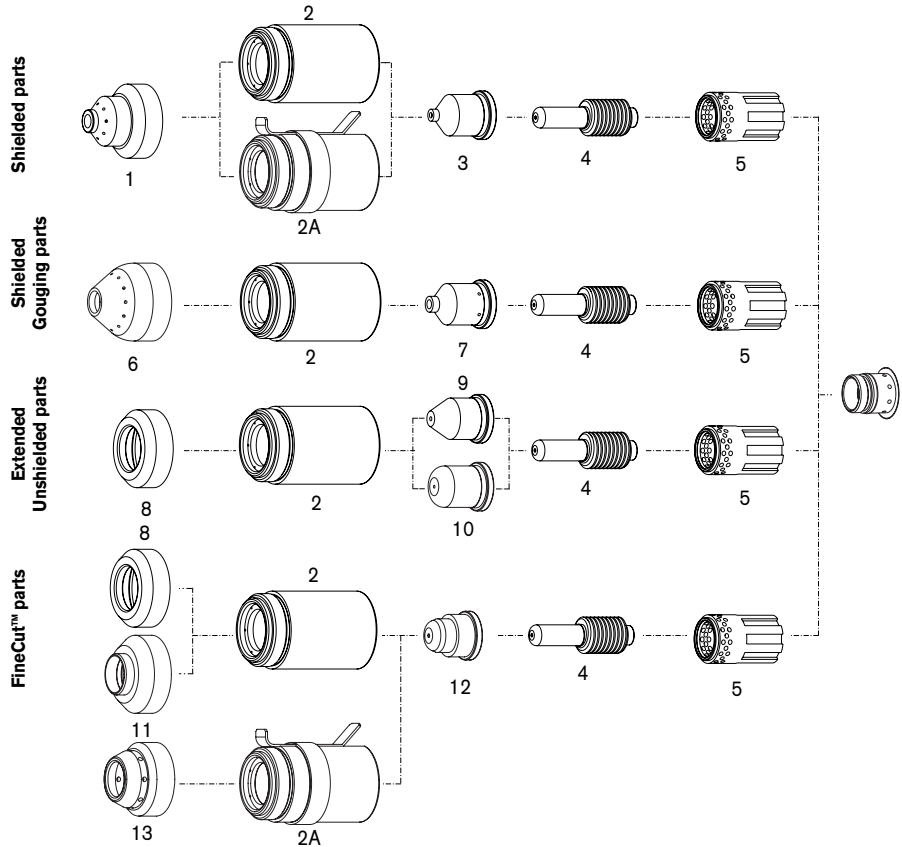
T60M consumables



Powermax1000

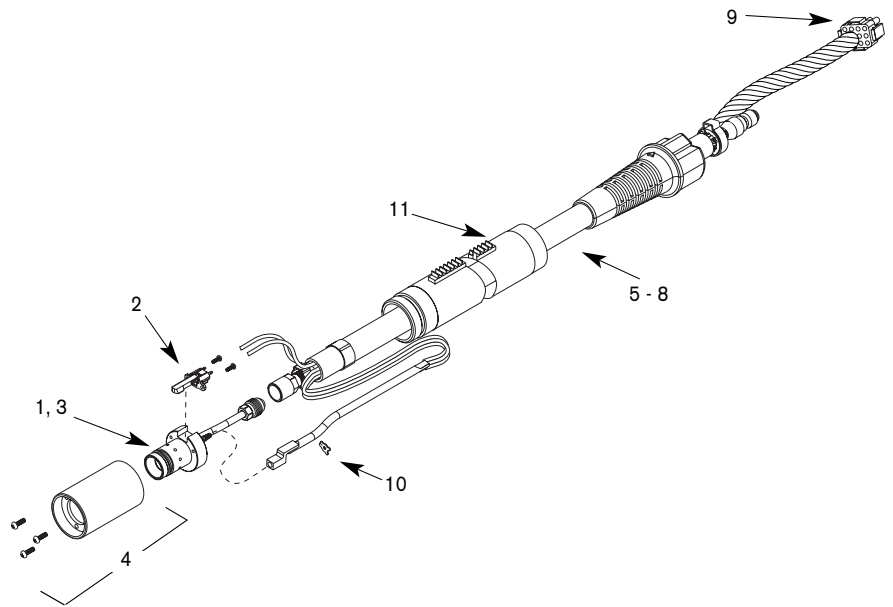


T60M Torch



	ITEM NUMBER	PART NUMBER	DESCRIPTION	QUANTITY PER PACKAGE
Shielded parts	1	120930	Shield	1
	2	120928	Retaining Cap	1
	2A	220061	Retaining Cap, ohmic	1
	3	120931	Nozzle, 60 Amp	5
	3	120932	Nozzle, 40 Amp	5
	4	120926	Electrode	5
Shielded Gouging parts	5	120925	Swirl Ring	1
	6	120977	Shield, Gouging	1
	2	120928	Retaining Cap	1
	7	220059	Nozzle, Gouging	5
	4	120926	Electrode	5
Extended Unshielded parts	5	120925	Swirl Ring	1
	8	120979	Deflector	1
	2	120928	Retaining Cap	1
	9	220007	Nozzle, Extended, 60 Amp	5
	10	220006	Nozzle, Extended, 40 Amp	5
FineCut™ parts	4	120926	Electrode	5
	5	120925	Swirl Ring	1
	8	120979	Deflector	1
	11	220325	Deflector, CE	1
	13	220404	Shield, Ohmic	1
	2	120928	Retaining Cap	1
	2A	220061	Retaining Cap, Ohmic	1
	12	220329	Nozzle, T60/T80/T100	5
	4	120926	Electrode	5
	5	120925	Swirl Ring	1

Powermax1000 T60M torch assembly



T60M Torch

ITEM NUMBER	PART NUMBER	DESCRIPTION
	083175^	T60M Machine torch assembly 15' (4.6m)
	083174^	T60M Machine torch assembly 25' (7.6m)
	083176^	T60M Machine torch assembly 35' (10.7m)
	083177^	T60M Machine torch assembly 50' (15.2m)
	128645	Kit: Torch Mounting
1	128640	Kit: T60M/T80M torch main body replacement
2	128639	Kit: Cap sensor switch replacement
3	128521	Kit: T60/T80, T60M/T80M torch head repair
4	128643	Kit: T60M/T80M mounting sleeve replacement
5	128634	Kit: T60M/T80M lead replacement 15' (4.6m)
6	128633	Kit: T60M/T80M lead replacement 25' (7.6m)
7	128635	Kit: T60M/T80M lead replacement 35' (10.7m)
8	128641	Kit: T60M/T80M lead replacement 50' (15.2m)
9	128638	Kit: ETR connector repair (Regional Repair Centers only)
10	027889	Retaining Clip
11	128710	Kit: T60/T80M Positioning Sleeve Replacement

^ Assembly includes consumables