

Hypertherm®

HyPerformance® HD4070®

Consumables



HD4070

Mild steel

	Retaining cap	Shield	Inner retaining cap	Nozzle	Swirl ring	Electrode
30A		220194	220313	220193	220180	220192
50A	220173	220555	220313	220554	220553	220552
80A		220189	220176	220188	220179	220187
130A		220183	220176	220182	220179	220181
200A	220398	220356	220355	220354	220353	220352

Stainless steel

	Retaining cap	Shield	Inner retaining cap	Nozzle	Swirl ring	Electrode
45A		220202	220304	220201	220180	220308
80A	220173	220338	220304	220337	220179	220339
130A		220198	220304	220197	220179	220307
200A	220398	220345	220344	220343	220342	220307



HyperPerformance HD4070 torch

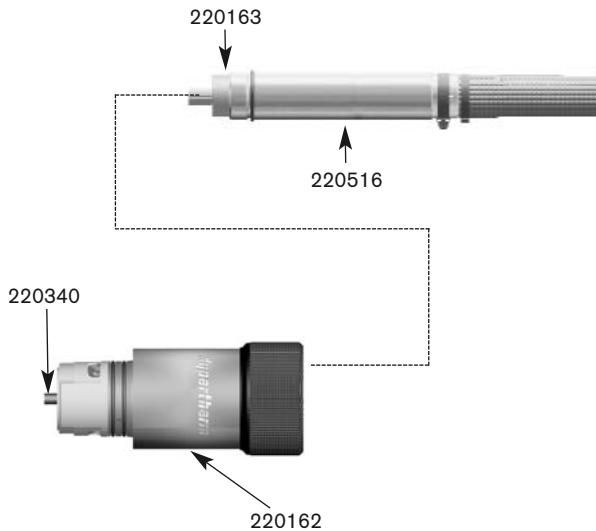
Aluminum

	Retaining cap	Shield	Inner retaining cap	Nozzle	Swirl ring	Electrode
45A		220202	220176	220201	220180	220308
130A	220173	220198	220304	220197	220179	220307
200A	220398	220345	220347	220346	220342	220307

HyPerformance HD4070 consumables

MATERIAL	CONSUMABLE DESCRIPTION	200 AMPS	130 AMPS	80 AMPS	50 AMPS	45 AMPS	30 AMPS
Mild steel	Electrode	220352	220181	220187	220552	-----	220192
	Swirl ring	220353	220179	220179	220553	-----	220180
	Nozzle	220354	220182	220188	220554	-----	220193
	Inner retaining cap	220355	220176	220176	220313	-----	220313
	Shield	220356	220183	220189	220555	-----	220194
	Shield cap	220398	220173	220173	220173	-----	-----
Stainless steel	Electrode	220307	220307	220339	-----	220308	-----
	Swirl ring	220342	220179	220179	-----	220180	-----
	Nozzle	220343	220197	220337	-----	220201	-----
	Inner retaining cap	220344	220304 (H35)	220304	-----	220304	-----
		-----	220176 (N ₂)	-----	-----	-----	-----
	Shield	220345	220198	220338	-----	220202	-----
Shield cap	220398	220173	220173	-----	220173	-----	
Aluminum	Electrode	220307	220307 (H35)	-----	-----	220308	-----
		-----	220181 (Air)	-----	-----	-----	-----
	Swirl ring	220342	220179	-----	-----	220180	-----
	Nozzle	220346	220197	-----	-----	220201	-----
	Inner retaining cap	220347	220304 (H35)	-----	-----	220176	-----
		-----	220176 (Air)	-----	-----	-----	-----
Shield	220345	220198	-----	-----	220202	-----	
Shield cap	220398	220173	-----	-----	220173	-----	

HyPerformance HD4070 Plasma torch assembly



PART NO.	DESCRIPTION
220162	Quick-disconnect torch
220340	Water tube with O-Ring
220163	Quick-disconnect receptacle
220516	Torch mounting sleeve
128879	Torch kit: Bullet plugs, O-Rings, water tube and seal
128880	Quick-disconnect kit: O-Ring and connector
128943	Kit:HPR/HD4070 Upgrade with 6' torch leads
128944	Kit:HPR/HD4070 Upgrade with 10' torch leads
128945	Kit:HPR/HD4070 Upgrade with 15' torch leads

Hypertherm, HyDefinition, HD, HD4070, and HyPerformance are trademarks of Hypertherm, Inc., and may be registered in the United States and/or other countries.

Hypertherm®

Hypertherm, Inc.
Hanover, NH 03755 USA
603-643-3441 Tel

Hypertherm Europe B.V.
4704 SE Roosendaal, Nederland
31 165 596907 Tel

Hypertherm (S) Pte Ltd.
417847, Republic of Singapore
65 6 841 2489 Tel

HYPERTHERM BRASIL LTDA.
Guarulhos, SP - Brasil
55 11 6409 2636 Tel

Hypertherm (Shanghai) Trading Co., Ltd. www.hypertherm.com
PR China 200052
86-21 5258 3330 /1 Tel