

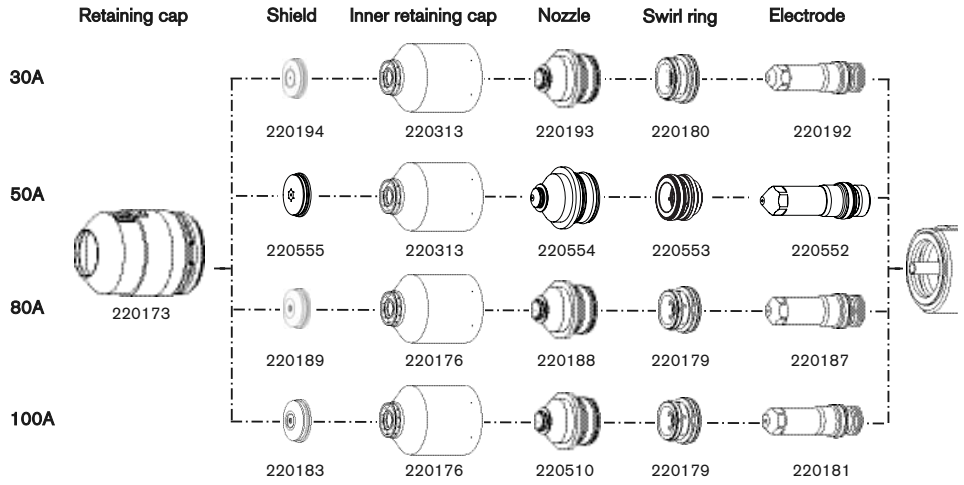
**Consumables**

# Hypertherm® HyPerformance® HD3070®

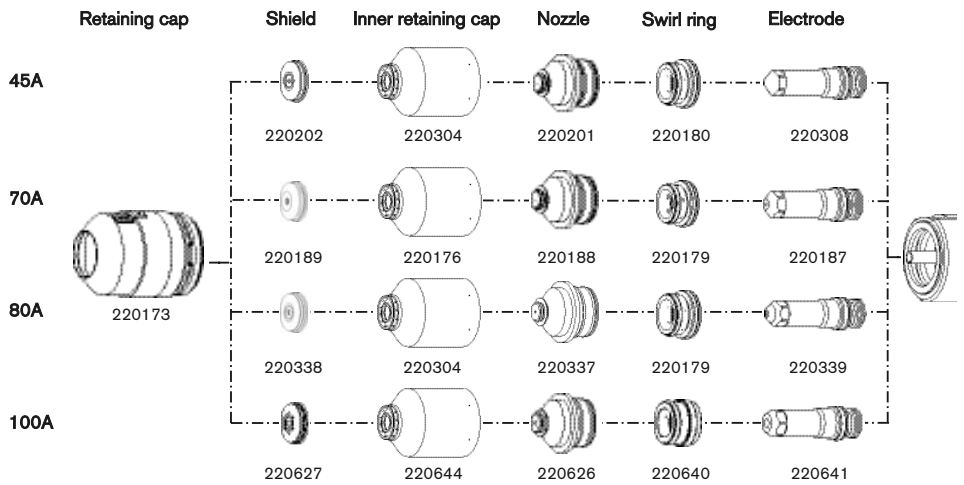


**HD3070**

**Mild steel**

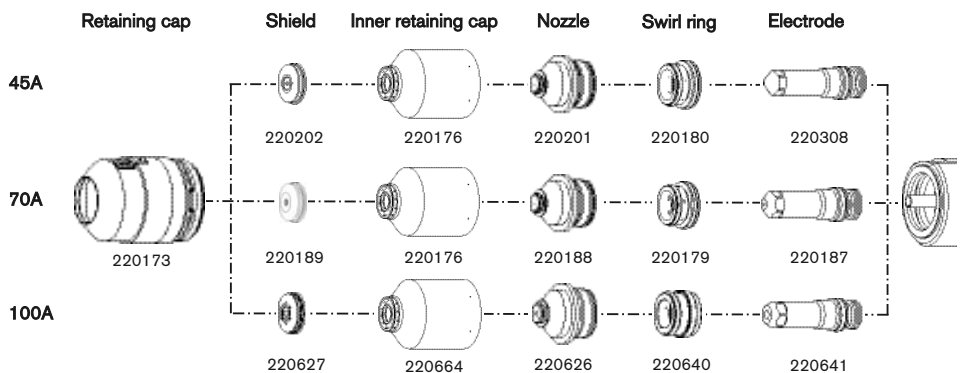


**Stainless steel**



**HyperPerformance HD3070 torch**

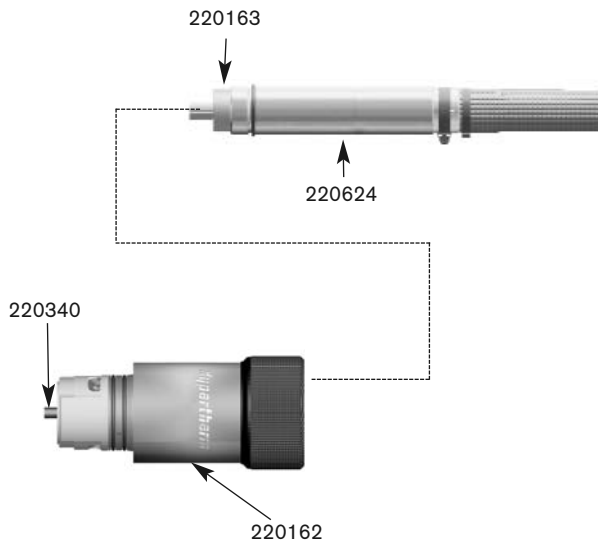
**Aluminum**



## HyPerformance HD3070 consumables

| MATERIAL        | CONSUMABLE DESCRIPTION | 100 AMPS | 80 AMPS | 70 AMPS | 50 AMPS | 45 AMPS | 30 AMPS |
|-----------------|------------------------|----------|---------|---------|---------|---------|---------|
| Mild steel      | Electrode              | 220181   | 220187  | -----   | 220552  | -----   | 220192  |
|                 | Swirl ring             | 220179   | 220179  | -----   | 220553  | -----   | 220180  |
|                 | Nozzle                 | 220510   | 220188  | -----   | 220554  | -----   | 220193  |
|                 | Inner retaining cap    | 220176   | 220176  | -----   | 220313  | -----   | 220313  |
|                 | Shield                 | 220183   | 220189  | -----   | 220555  | -----   | 220194  |
|                 | Shield cap             | 220173   | 220173  | -----   | 220173  | -----   | -----   |
| Stainless steel | Electrode              | 220641   | 220339  | 220187  | -----   | 220308  | -----   |
|                 | Swirl ring             | 220640   | 220179  | 220179  | -----   | 220180  | -----   |
|                 | Nozzle                 | 220626   | 220337  | 220188  | -----   | 220201  | -----   |
|                 | Inner retaining cap    | 220644   | 220304  | 220176  | -----   | 220304  | -----   |
|                 | Shield                 | 220627   | 220338  | 220189  | -----   | 220202  | -----   |
|                 | Shield cap             | 220173   | 220173  | 220173  | -----   | 220173  | -----   |
| Aluminum        | Electrode              | 220641   | -----   | 220187  | -----   | 220308  | -----   |
|                 | Swirl ring             | 220640   | -----   | 220179  | -----   | 220180  | -----   |
|                 | Nozzle                 | 220626   | -----   | 220188  | -----   | 220201  | -----   |
|                 | Inner retaining cap    | 220644   | -----   | 220176  | -----   | 220176  | -----   |
|                 | Shield                 | 220627   | -----   | 220189  | -----   | 220202  | -----   |
|                 | Shield cap             | 220173   | -----   | 220173  | -----   | 220173  | -----   |

## HyPerformance HD3070 Plasma torch assembly



| PART NO. | DESCRIPTION   |
|----------|---|
| 220162   | Quick-disconnect torch                                |
| 220340   | Water tube with O-Ring                                |
| 220163   | Quick-disconnect receptacle                           |
| 220624   | Torch mounting sleeve                                 |
| 128879   | Torch kit: Bullet plugs, O-Rings, water tube and seal |
| 128880   | Quick-disconnect kit: O-Ring and connector            |
| 228132   | Kit: HPR/HD3070 upgrade                               |

Hypertherm, HyDefinition, HD, HD3070, and HyPerformance are trademarks of Hypertherm, Inc., and may be registered in the United States and/or other countries.

# Hypertherm®

Hypertherm, Inc.  
Hanover, NH 03755 USA  
603-643-3441 Tel

Hypertherm Europe B.V.  
4704 SE Roosendaal, Nederland  
31 165 596907 Tel

Hypertherm (S) Pte Ltd.  
417847, Republic of Singapore  
65 6 841 2489 Tel

HYPER THERM BRASIL LTDA.  
Guarulhos, SP - Brasil  
55 11 6409 2636 Tel

Hypertherm (Shanghai) Trading Co., Ltd. [www.hypertherm.com](http://www.hypertherm.com)  
PR China 200052  
86-21 5258 3330 /1 Tel